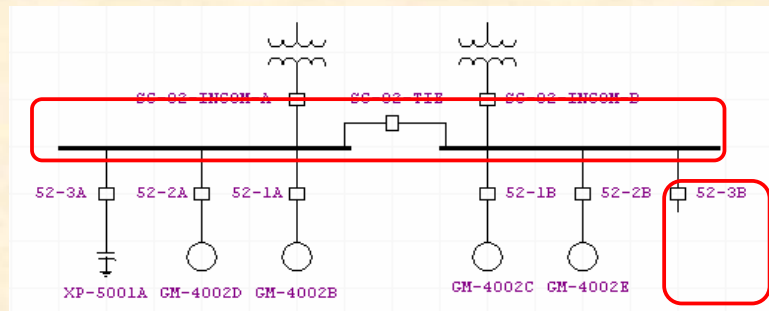


Let's make full use of e-DPP / ETAP-DPP.

How to create Switchgear / MCC Schedule (Topic #008)

e-DPP is provided with features that can create Switchgear / MCC circuit schedule.

Only electrical loads that consume the power actually are listed in the Motor Schedule and Electric Load Schedule. On the other hand, for Switchgear / MCC Schedule, you need to include Incomer, Bus Tie, Riser, Spare Unit or Space Unit which are the components other than above. These units need to be added / edited in the Switchgear / MCC Schedule, as they are not handled in the Electrical Load Schedule.



Open e-DPP Example2 project and select **【Defaults】** → **【Data Filling】** → **【Switchgear/Mcc】** from the Menu. Then add no load unit as below left figure for Switchgear no. SG-02.

| Lock | 盤 ID | 並び順 | ユニットID | 機器番号 | CBタイプ | CB定格(kV) | CB定格(A) | CB遮断(kA) |
|------|-------|-----|--------|----------------|-------|----------|---------|----------|
| | SG-02 | 11 | 52A | SC-02-INCOM-A | VCB | 4760 | 1600 | 25.0 |
| | SG-02 | 12 | 52B | SG-02-INCOM-B | VCB | 4760 | 1600 | 25.0 |
| | SG-02 | 13 | 52T | SG-02-TIE | VCB | 4760 | 1600 | 25.0 |
| | SG-02 | 21 | 52-1A | GM-4002B | VCB | 4760 | 630 | 25.0 |
| | SG-02 | 22 | 52-2A | GM-4002D | VCB | 4760 | 630 | 25.0 |
| | SG-02 | 23 | 52-3A | XP-5001A | VCB | 4760 | 0 | 0.0 |
| | SG-02 | 31 | 52-1B | GM-4002C | VCB | 4760 | 630 | 25.0 |
| | SG-02 | 32 | 52-2B | GM-4002E | VCB | 4760 | 630 | 25.0 |
| | SG-02 | 33 | 52-3B | SG-02-SPARE-01 | VCB | 4760 | 0 | 0.0 |

| ユニット番号 | 機器番号 | タイプ | 定格電圧(kV) | 定格電流(A) | 遮断能力(kA) | 備考 |
|--------|----------------|-----|----------|---------|----------|----------|
| 52A | SC-02-INCOM-A | VCB | 4760 | 1600 | 25 | 4000/120 |
| 52B | SC-02-INCOM-B | VCB | 4760 | 1600 | 25 | 4000/120 |
| 52T | SC-02-TIE | VCB | 4760 | 1600 | 25 | 4000/120 |
| 52-1A | GM-4002B | VCB | 4760 | 630 | 25 | 4000/120 |
| 52-1B | GM-4002C | VCB | 4760 | 630 | 25 | 4000/120 |
| 52-2A | GM-4002D | VCB | 4760 | 630 | 25 | 4000/120 |
| 52-2B | GM-4002E | VCB | 4760 | 630 | 25 | 4000/120 |
| 52-3A | XP-5001A | VCB | 4760 | 0 | 0 | 4000/120 |
| 52-3B | SG-02-SPARE-01 | VCB | 4760 | 0 | 0 | 4000/120 |

(Note) Above figure is the one executed by Japanese e-DPP.

Executing “TO EXEL” will produce the Schedule Sheet for Switchgear no. SG-02 which is including all units.

Execute **【Data Filling】** → **【Switchgear/Mcc】** again when data for Electrical Load Schedule are changed. Only unit data corresponding with the load data will be updated and data for no load unit will remain as is.

The next issue will discuss the “Site Area”.

If you have problems or requests and need solutions, please feel free to contact:
Eltechs Engineering & Consulting Inc. E-mail: etap@eltechs.co.jp